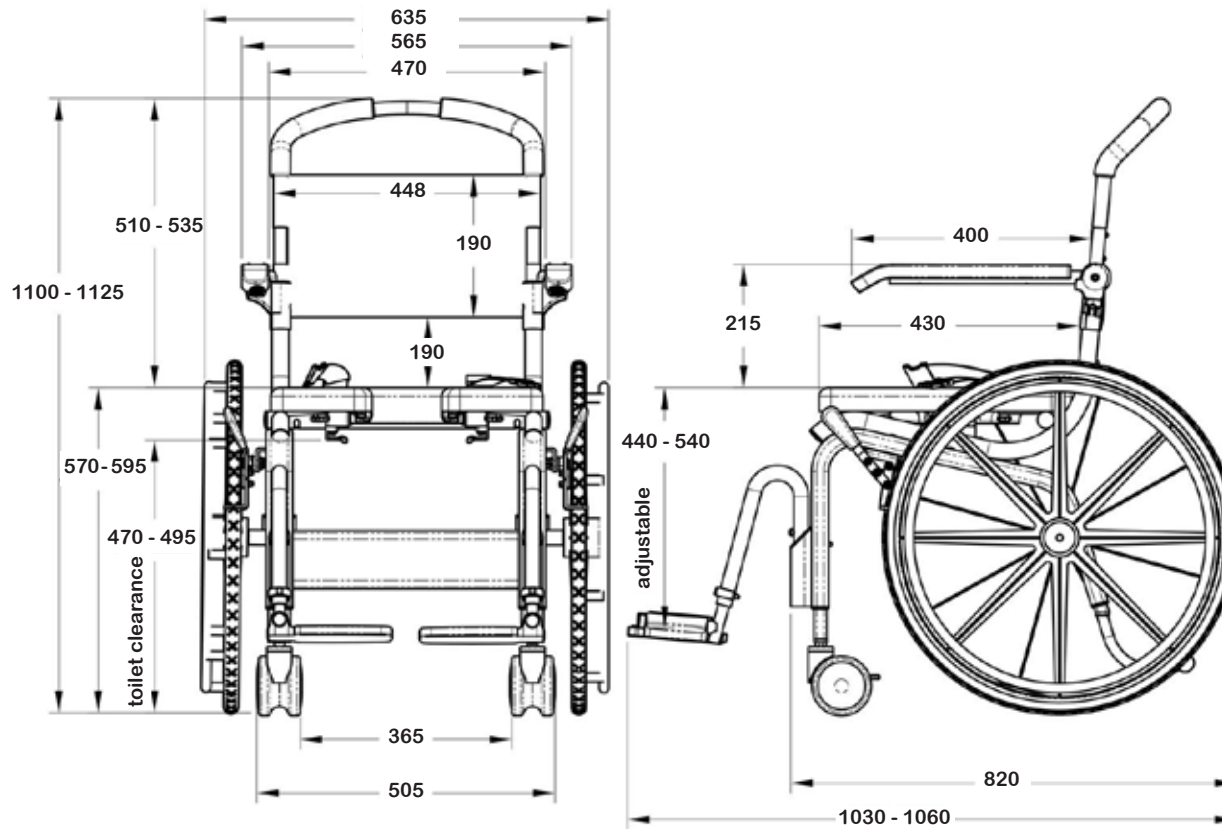


SB6w

Dimensions = Millimetres

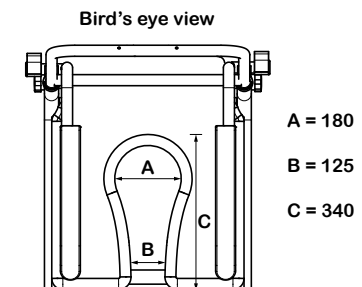


Product features:

- Weight capacity - 136kg
- Rolls over most standard toilets
- Low maintenance
- Arms - Lockable / flip-back
- Height adjustable
- Footrests - removable and swing-away, height adjustable
- No rust aluminum frame (Grade 6061 T6)
- Stainless steel parts and hardware (Grade 304)
- Safety belts - lap or chest belts plus calf strap
- Caster Wheels - 100mm all locking
- Commode system with deflector splash guard
- Soft blow-mold cushion
- Tool-free assembly

Accessory items

- Refer to the accessory pages or on our website



A = 180

B = 125

C = 340