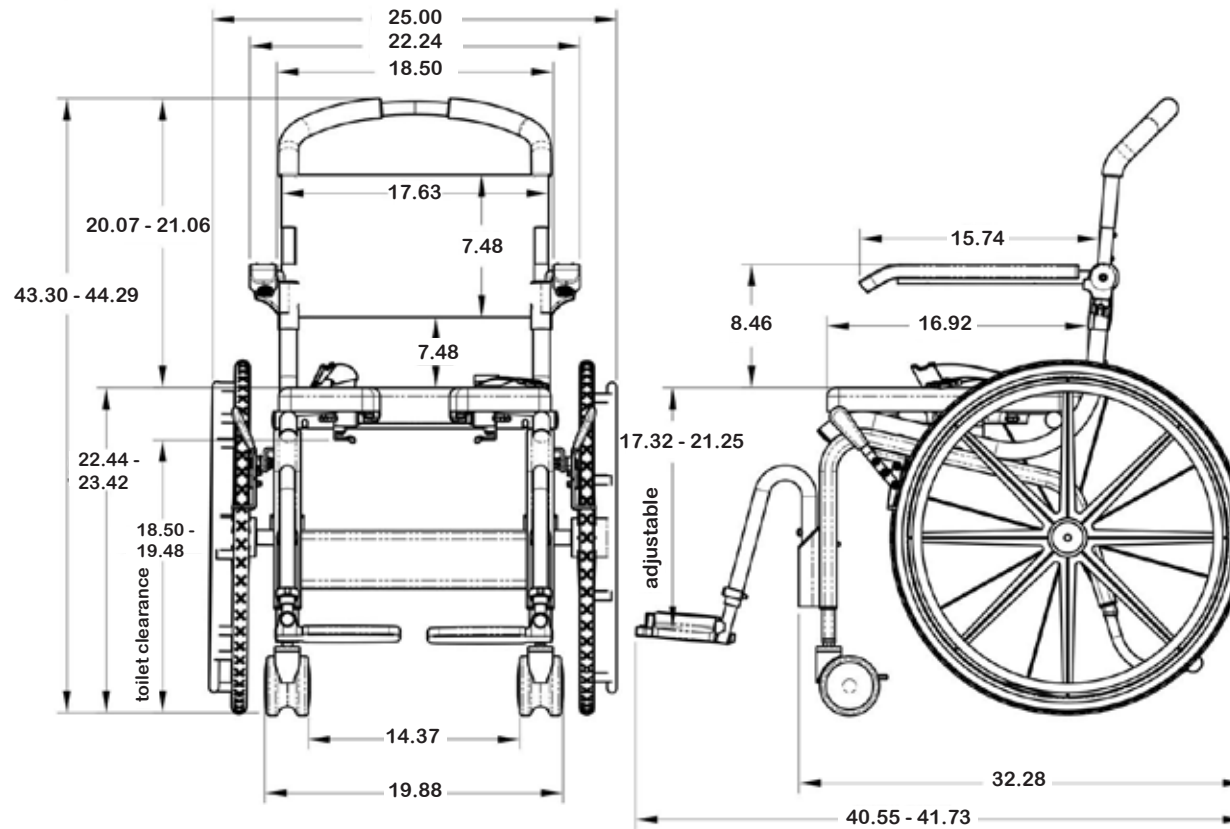


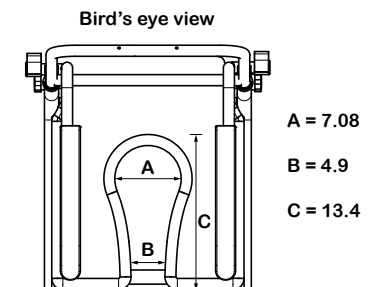
SB6w

Dimensions = Inches



Product features:

- Weight capacity - 300lb
- Rolls over most standard toilets
- Low maintenance
- Arms - Lockable / flip-back
- Height adjustable
- Footrests - removable and swing-away, height adjustable
- No rust aluminum frame (Grade 6061 T6)
- Stainless steel parts and hardware (Grade 304)
- Safety belts - lap or chest belts plus calf strap
- Caster Wheels - 4" all locking
- Commode system with deflector splash guard
- Soft blow-mold cushion
- Tool-free assembly



Accessory items

- Refer to the accessory pages or on our website